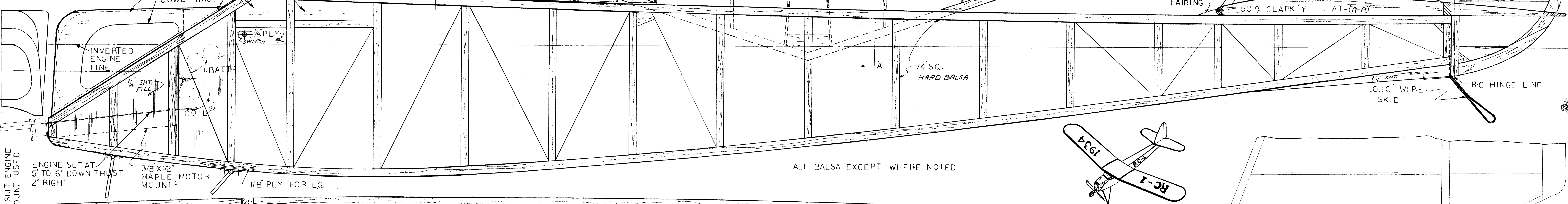
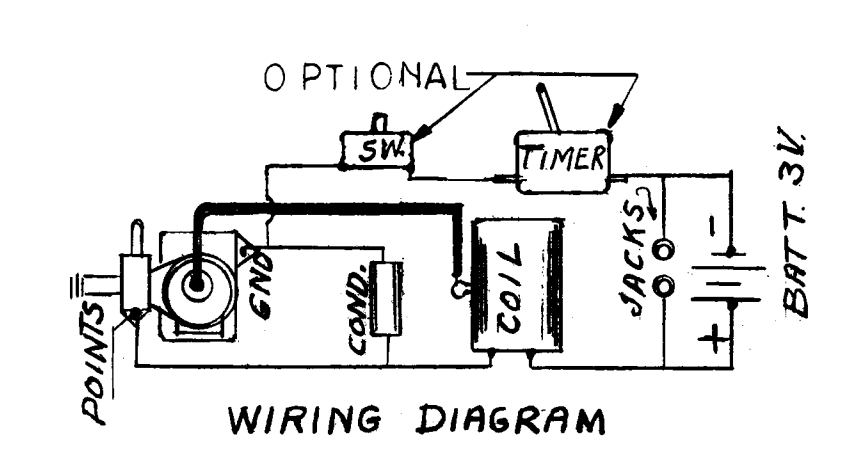
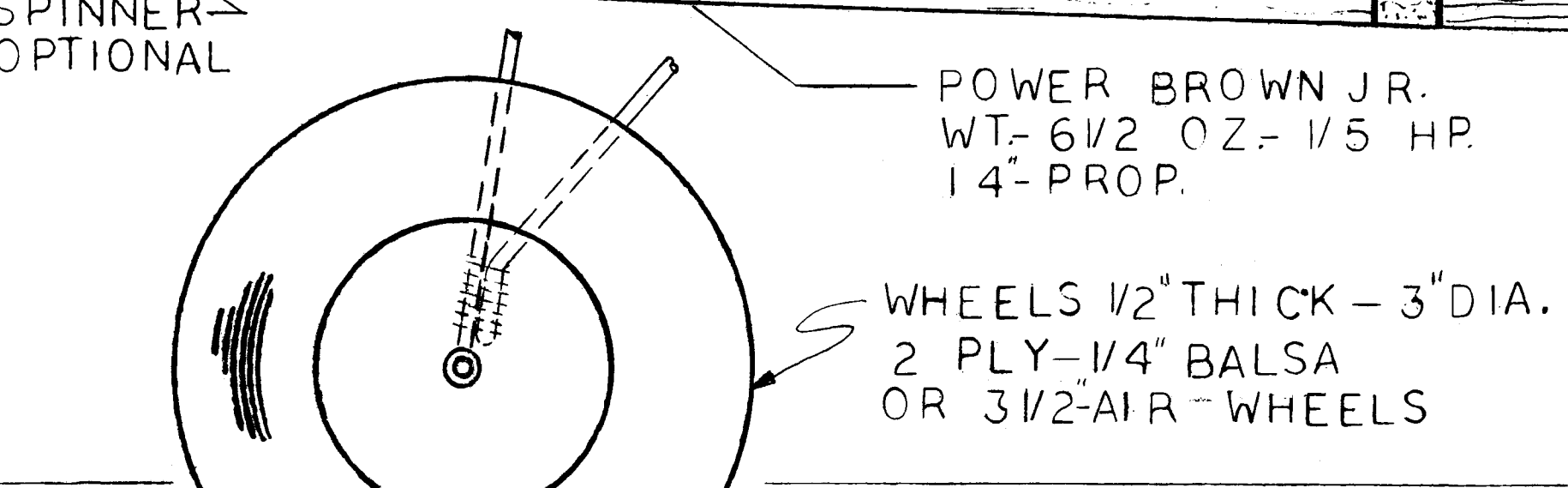
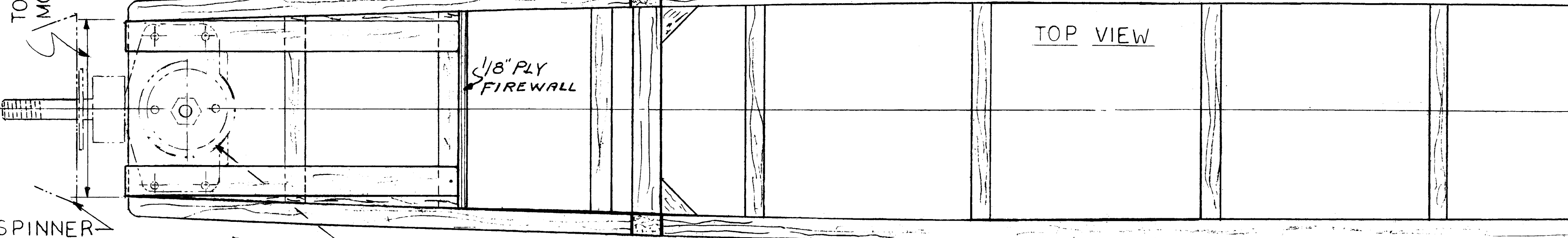
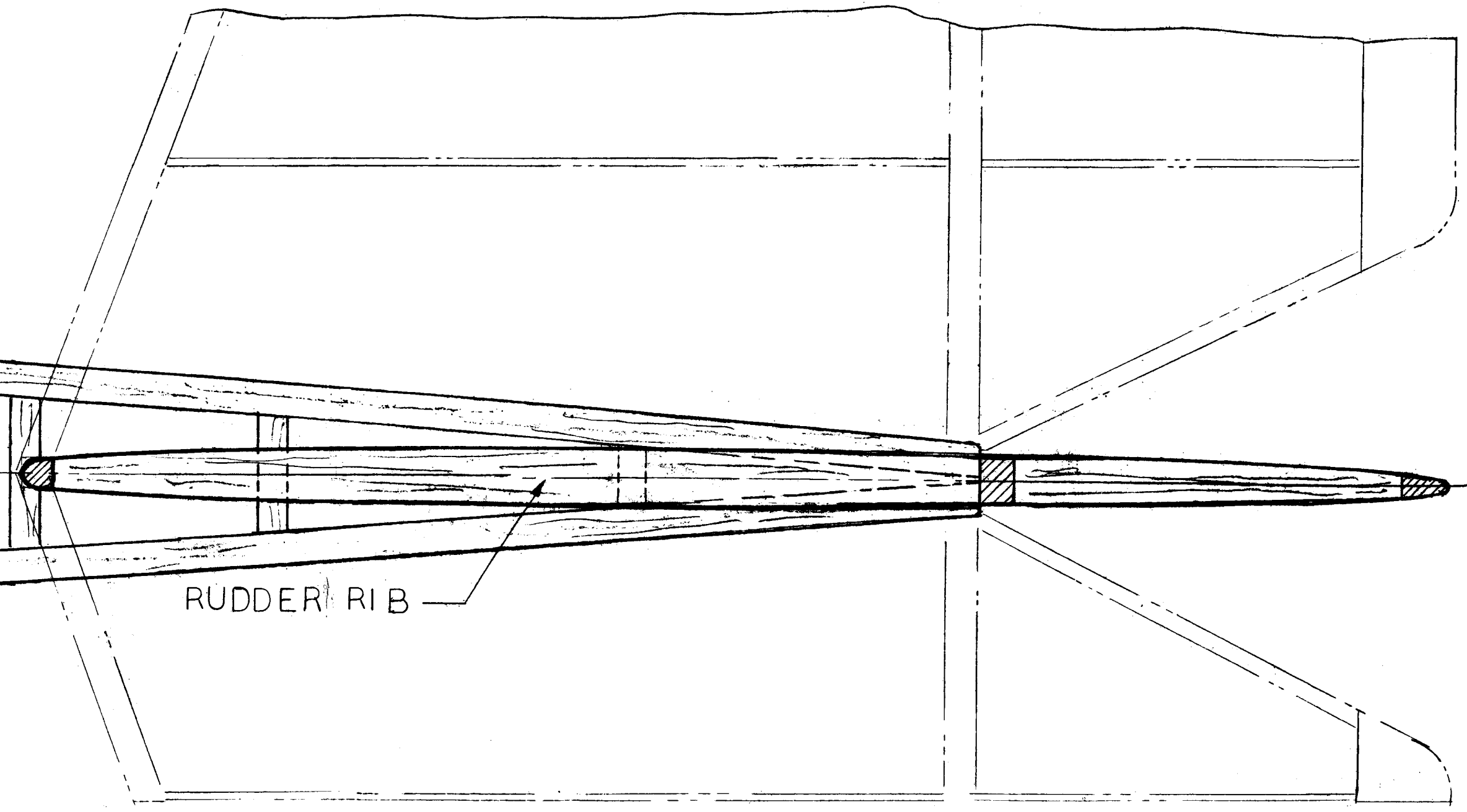
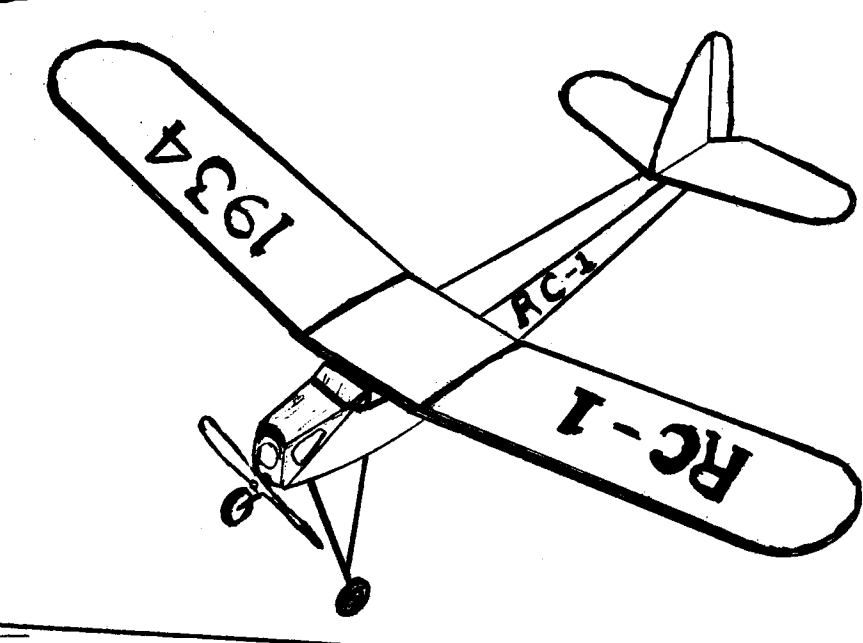


OPTIONAL REMOVABLE COWLING 1/16" PLY AND BALSAL
 CUT OUT TO SUIT ENGINE USED CELLULOID WIND-SHIELD COWL HINGE



ALL BALSAL EXCEPT WHERE NOTED



SPECIFICATIONS
 WING SPAN 84 INCHES - 7 FEET
 WING AREA 1010 SQ INCHES
 WT. 56 OZ.
 SILK COVERED
 RED DOPE
 BLACK TRIM

RC-ONE
 THIS 1934 7FT. FREE FLIGHT DESIGN BY C.D. LANZO
 WAS ALSO FLOWN RC-TRACED FROM ORIGINAL DRAWINGS. 1980
 © 1980 CHESTER D. LANZO